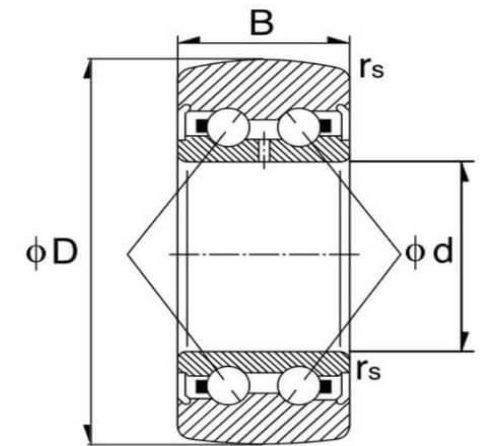




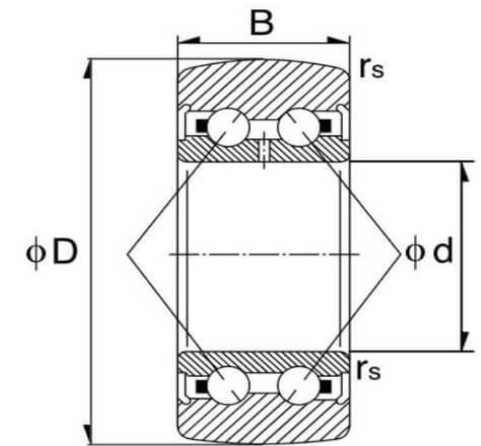
LR SERIES SINGLE & DOUBLE ROW TRACK ROLLER BEARINGS



PART NUMBER / ALTERNATIVE PART NUMBER	BORE SIZE (d)	OUTSIDE DIAMETER (D)	WIDTH (B)	Radii (r _s)	Dynamic Load as Track Roller C _w (N)	Static Load as Track Roller C _{0w} (N)	Max Speed RPM (Grease)	Weight (Kg)
LR604NPPU (LR604-2RS)	4	13	4	0.2	860	350	24000	0.010
LR605NPPU (LR605-2RS)	5	16	5	0.2	1190	490	23000	0.010
LR50/5NPPU (LR50/5-2RS)	5	17	7	0.2	1650	950	12000	0.010
LR50/6NPPU (LR50/6-2RS)	6	19	6	0.3	2650	1310	11000	0.020
LR606NPPU (LR606-2RS)	6	19	6	0.3	1740	700	22000	0.010
LR607NPPU (LR607-2RS)	7	22	6	0.3	2130	870	20000	0.010
LR50/7NPPU (LR50/7-2RS)	7	22	10	0.3	3300	1690	10000	0.020
LR50/8NPPU (LR50/8-2RS)	8	24	11	0.3	4200	2360	10000	0.030
LR608NPPU (LR608-2RS)	8	24	7	0.3	2750	1250	19000	0.020
LR6000NPP (LR6000X-2RS)	10	28	8	0.3	3650	1700	17000	0.020
LR6000NPPU (LR6000-2RS)	10	28	8	0.3	3650	1700	17000	0.020
LR5000NPPU (LR5000-2RS)	10	28	12	0.3	4750	2850	9000	0.030
LR200NPP (LR200X-2RS)	10	32	9	0.6	4350	2130	13000	0.050
LR200NPPU (LR200-2RS)	10	32	9	0.6	4350	2130	13000	0.050
LR5200KDD (LR5200X-ZZ)	10	32	14	0.3	6800	4050	11000	0.070
LR5200KDDU (LR5200-ZZ)	10	32	14	0.3	6800	4050	11000	0.070
LR5200NPPU (LR5200-2RS)	10	32	14	0.3	6800	4050	8000	0.070



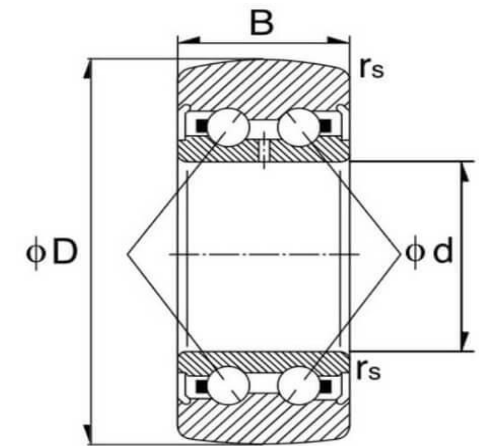
LR SERIES SINGLE & DOUBLE ROW TRACK ROLLER BEARINGS



PART NUMBER / ALTERNATIVE PART NUMBER	BORE SIZE (d)	OUTSIDE DIAMETER (D)	WIDTH (B)	Radii (r _s)	Dynamic Load as Track Roller C _w (N)	Static Load as Track Roller C _{0w} (N)	Max Speed RPM (Grease)	Weight (Kg)
LR6001NPP (LR6001X-2RS)	12	30	8	0.3	4300	2100	16000	0.030
LR6001NPPU (LR6001-2RS)	12	30	8	0.3	4300	2100	16000	0.030
LR5001NPPU (LR5001-2RS)	12	30	12	0.3	4950	3100	8500	0.030
LR201NPP (LR201X-2RS)	12	35	10	0.6	5600	2700	12000	0.050
LR201NPPU (LR201-2RS)	12	35	10	0.6	5600	2700	12000	0.050
LR5201KDD (LR5201X-ZZ)	12	35	15.9	0.6	8600	5100	10000	0.080
LR5201KDDU (LR5201-ZZ)	12	35	15.9	0.6	8600	5100	10000	0.080
LR5201NPPU (LR5201-2RS)	12	35	15.9	0.6	8600	5100	7500	0.080
LR5301NPPU (LR5301-2RS)	12	42	19	1	11300	7100	5000	0.120
LR6002NPPU (LR6002-2RS)	15	35	9	0.3	6900	3800	10000	0.045
LR5002NPPU (LR5002-2RS)	15	35	13	0.3	4950	3100	8500	0.030
LR202NPP (LR202X-2RS)	15	40	11	0.6	6500	3300	11000	0.070
LR202NPPU (LR202-2RS)	15	40	11	0.6	6500	3300	11000	0.070
LR5202KDD (LR5202X-ZZ)	15	40	15.9	0.6	9800	6200	10000	0.110
LR5202KDDU (LR5202-ZZ)	15	40	15.9	0.6	9800	6200	10000	0.110
LR5202NPPU (LR5202-2RS)	15	40	15.9	0.6	9800	6200	7000	0.110
LR5302KDD (LR5302X-ZZ)	15	47	19	1	14600	9200	10000	0.150



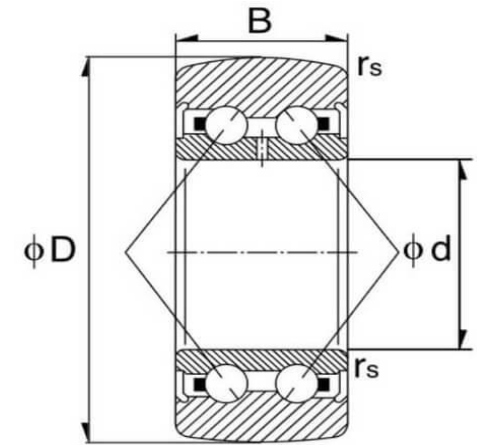
LR SERIES SINGLE & DOUBLE ROW TRACK ROLLER BEARINGS



PART NUMBER / ALTERNATIVE PART NUMBER	BORE SIZE (d)	OUTSIDE DIAMETER (D)	WIDTH (B)	Radii (r _s)	Dynamic Load as Track Roller C _w (N)	Static Load as Track Roller C _{ow} (N)	Max Speed RPM (Grease)	Weight (Kg)
LR5302KDDU (LR5302-ZZ)	15	47	19	1	14600	9200	10000	0.150
LR5302NPPU (LR5302-2RS)	15	47	19	1	14600	9200	6500	0.150
LR5003NPPU (LR5003-2RS)	17	40	14	0.3	7700	5200	6000	0.070
LR203NPP (LR203X-2RS)	17	47	12	0.6	8400	4400	9000	0.110
LR203NPPU (LR203-2RS)	17	47	12	0.6	8400	4400	9000	0.110
LR5203KDD (LR5203X-ZZ)	17	47	17.5	0.6	12600	8200	7500	0.170
LR5203KDDU (LR5203-ZZ)	17	47	17.5	0.6	12600	8200	7500	0.170
LR5203NPPU (LR5203-2RS)	17	47	17.5	0.6	12600	8200	5500	0.170
LR5203KDD (LR5203X-ZZ)	17	52	22.2	1	17200	11100	6500	0.210
LR5203KDDU (LR5203-ZZ)	17	52	22.2	1	17200	11100	6500	0.210
LR5303NPPU (LR5303-2RS)	17	52	22.2	1	17200	11100	4700	0.210
LR5004NPPU (LR5004-2RS)	20	47	16	0.6	11500	7700	5500	0.120
LR204NPP (LR204X-2RS)	20	52	14	1	10500	5600	8000	0.150
LR204NPPU (LR204-2RS)	20	52	14	1	10500	5600	8000	0.150
LR5204KDD (LR5204X-ZZ)	20	52	20.6	1	15800	10500	7000	0.230
LR5204KDDU (LR520X-ZZ)	20	52	20.6	1	15800	10500	7000	0.230
LR5204NPPU (LR5204-2RS)	20	52	20.6	1	15800	10500	5000	0.230



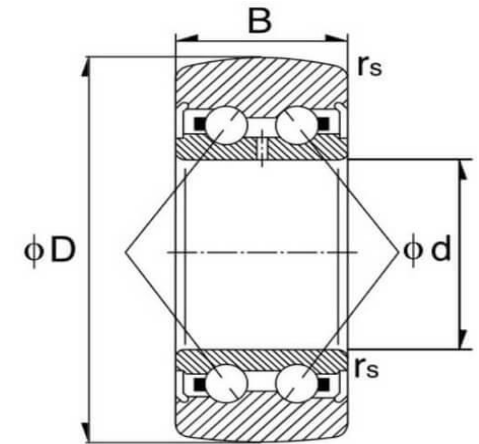
LR SERIES SINGLE & DOUBLE ROW TRACK ROLLER BEARINGS



PART NUMBER / ALTERNATIVE PART NUMBER	BORE SIZE (d)	OUTSIDE DIAMETER (D)	WIDTH (B)	Radii (rs)	Dynamic Load as Track Roller Cw (N)	Static Load as Track Roller Cow (N)	Max Speed RPM (Grease)	Weight (Kg)
LR5304KDD (LR5304X-ZZ)	20	62	22.2	1.1	27500	19500	5500	0.340
LR5304KDDU (LR5304-ZZ)	20	62	22.2	1.1	27500	19500	5500	0.340
LR5304NPPU (LR5304-2RS)	20	62	22.2	1.1	27500	19500	3900	0.340
LR5005NPPU (LR5005-2RS)	25	52	16	0.6	11600	8100	4700	0.150
LR205NPP (LR205X-2RS)	25	62	15	1	12500	7100	7000	0.230
LR205NPPU (LR205-2RS)	25	62	15	1	12500	7100	7000	0.230
LR5205KDD (LR5205-ZZ)	25	62	20.6	1	18500	13000	6500	0.340
LR5205KDDU (LR5205X-ZZ)	25	62	20.6	1	18500	13000	4500	0.340
LR5205NPPU (LR5205-2RS)	25	62	20.6	1	18500	13000	4500	0.340
LR5305KDD (LR5305X-ZZ)	25	72	25.4	1.1	27500	19500	5500	0.500
LR5305KDDU (LR5305-ZZ)	25	72	25.4	1.1	27500	19500	3900	0.500
LR5305NPPU (LR5305-2RS)	25	72	25.4	1.1	27500	19500	3900	0.500
LR5006NPPU (LR5006-2RS)	30	62	19	1	17200	11100	4000	0.250
LR206NPP (LR206X-2RS)	30	72	16	1	16600	9600	5500	0.330
LR206NPPU (LR206-2RS)	30	72	16	1	16600	9600	5500	0.330
LR5206KDD (LR5206-ZZ)	30	72	23.8	1	24600	21400	5000	0.510
LR5206KDDU (LR5206X-ZZ)	30	72	23.8	1	24600	21400	5000	0.510



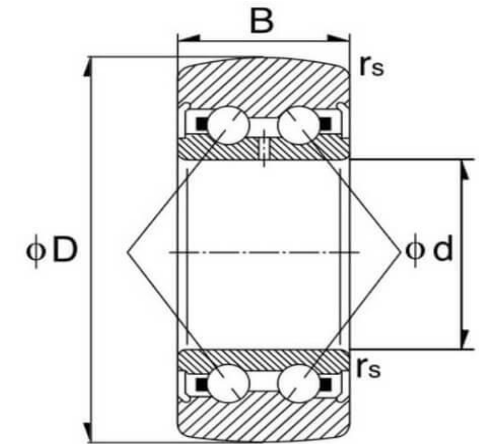
LR SERIES SINGLE & DOUBLE ROW TRACK ROLLER BEARINGS



PART NUMBER / ALTERNATIVE PART NUMBER	BORE SIZE (d)	OUTSIDE DIAMETER (D)	WIDTH (B)	Radii (r _s)	Dynamic Load as Track Roller C _w (N)	Static Load as Track Roller C _{ow} (N)	Max Speed RPM (Grease)	Weight (Kg)
LR5206NPP (LR5206X-2RS)	30	72	23.8	1	24600	21400	3500	0.510
LR5206NPPU (LR5206-2RS)	30	72	23.8	1	24600	21400	3500	0.510
LR5306KDD (LR5306X-ZZ)	30	80	30.2	1.1	36500	26500	4300	0.670
LR5306KDDU (LR5306-ZZ)	30	80	30.2	1.1	36500	26500	4300	0.670
LR5306NPPU (LR5306-2RS)	30	80	30.2	1.1	36500	26500	3100	0.670
LR5007NPPU (LR5007-2RS)	35	68	20	1	17600	13100	4000	0.300
LR5008NPPU (LR5008-2RS)	35	75	21	1	18400	14600	3100	0.370
LR207NPP (LR207X-2RS)	35	80	17	1.1	20200	11900	4500	0.400
LR207NPPU (LR207-2RS)	35	80	17	1.1	20200	11900	4500	0.400
LR5207KDD (LR5207X-ZZ)	35	80	27	1.1	30500	22400	3900	0.660
LR5207KDDU (LR5207-ZZ)	35	80	27	1.1	30500	22400	3900	0.660
LR5207NPPU (LR5207-2RS)	35	80	27	1.1	30500	22400	2800	0.660
LR5307KDD (LR5307X-ZZ)	35	90	34.9	1.5	44500	33000	3600	0.970
LR5307KDDU (LR5307-ZZ)	35	90	34.9	1.5	44500	33000	3600	0.970
LR5307NPPU (LR5307-2RS)	35	90	34.9	1.5	44500	33000	2500	0.970
LR208NPP (LR208X-2RS)	40	85	18	1.1	22800	13600	4000	0.450
LR208NPPU (LR208-2RS)	40	85	18	1.1	22800	13600	4000	0.450



LR SERIES SINGLE & DOUBLE ROW TRACK ROLLER BEARINGS



PART NUMBER / ALTERNATIVE PART NUMBER	BORE SIZE (d)	OUTSIDE DIAMETER (D)	WIDTH (B)	Radii (r _s)	Dynamic Load as Track Roller C _w (N)	Static Load as Track Roller C _{ow} (N)	Max Speed RPM (Grease)	Weight (Kg)
LR5208KDD (LR5208X-ZZ)	40	85	30.2	1.1	34500	25500	3500	0.750
LR5208KDDU (LR5208-ZZ)	40	85	30.2	1.1	34500	25500	3500	0.750
LR5208NPPU (LR5208-2RS)	40	85	30.2	1.1	34500	25500	2500	0.750
LR5308KDD (LR5308X-ZZ)	40	100	36.5	1.5	56000	42000	3300	1.200
LR5308KDDU (LR5308-ZZ)	40	100	36.5	1.5	56000	42000	3300	1.200
LR5308NPPU (LR5308-2RS)	40	100	36.5	1.5	56000	42000	2300	1.200
LR209NPP (LR209X-2RS)	45	90	19	1.1	22500	13700	3600	0.500
LR209NPPU (LR209-2RS)	45	90	19	1.1	22500	13700	3600	0.500
LR5209KDD (LR5209X-ZZ)	45	90	30.17	1.1	35700	25500	3000	0.850
LR5209KDDU (LR5209-ZZ)	45	90	30.17	1.1	35700	25500	3000	0.850
LR5309KDD (LR5309X-ZZ)	45	110	39.7	1.5	51800	36500	3100	1.850
LR5309KDDU (LR5309-ZZ)	45	110	39.7	1.5	51800	36500	3100	1.850
LR5309NPPU (LR5309-2RS)	45	110	39.7	1.5	51800	36500	2000	1.850

LR SERIES SUFFIX GUIDE:

- NPP (X-2RS), Bearing with Parallel Outer and 2 Rubber Seals
- NPPU (2RS), Bearing with Profiled Outer (R500) and 2 Rubber Seals
- KDD (X-ZZ), Bearing with Parallel Outer and 2 Metal Shields
- KDDU (ZZ), Bearing with Profiled Outside (R500) and 2 Metal Shields

- SINGLE ROW**
- LR2../LR6.. SERIES
- DOUBLE ROW**
- LR50../LR52../LR53.. SERIES